



Umami Red Moving Coil Phono cartridges Owners Manual

Umami Red cartridge is Low-Output Type. Operate with Step Up Transformer or MC/Phonostage.

Advanced product features

The **HANA-Umami Red** high-end moving coil cartridge combines brilliant materials and classic Japanese techniques with modern audio engineering. All the major parts in a **HANA-Umami Red** are manufactured in house by Excel Sound with its rich history spanning more than 50 years. Excel's highly trained craftsmen skillfully hand assemble the **HANA-Umami Red** ensuring an intensely musical experience furthering the HANA "Brilliant and Gorgeous" sound quality.

●Auricle™ Cartridge body

The **Umami Red** body is machined from A7075 aluminum alloy with exclusive Auricle™ body design, Ebony Wood inlay, and tapped mounting holes.

●Urushi Lacquer

The multi-layered Urushi lacquer finish originates from the famous Japanese Makie-artistic tradition, adding to the rich sound and optics.

●Microline stylus

The 'nude' natural diamond stylus design is cut and polished to mimic the cutting head stylus used to Master or "cut" all vinyl records.

●Boron cantilever

Boron, with a hardness comparable to diamond, was selected for the **Umami Red** to rigidly hold the Microline stylus.

●Moving coil generator

The rare earth samarium/cobalt magnet with pure copper wires, expertly hand-wound onto the square plate Permalloy armature.

●Cryogenic processing

This 'cold annealing' process at near absolute zero temperature is used to treat many of the components in the generator and the signal output pins.

●Wonderfully Musical

The Hana team is proud of their seamless integration of brilliant materials, modern audio engineering, and traditional techniques. Master Okada-san brings decades of experience to this design, applying the Umami concept of synergy with the **HANA-Umami Red** to indulge your senses in the music.

Installation

Depending on your headshell / tonearm design, you may wish to fit the cartridge leads before mechanically connecting cartridge to the headshell (see details below and on the right).

●Connecting with Headshell

Use the Allen key supplied to tighten both fixing screws into the captive nuts in the cartridge body. Pay careful attention that the cartridge is not twisted or angled when attaching to the headshell. Make sure that there are no foreign objects between the cartridge body and the headshell. Do not use excess force that might strip the screws or distort the body of the cartridge.

We recommend that you use cartridge alignment protractor and tools (not supplied) to ensure the **Umami Red** cartridge is properly aligned in the headshell and tonearm. For optimum sound quality, it is important to assure correct overhang, offset angle, azimuth and VTA (as with all cartridges). We suggest you get your Hi-Fi Dealer to assist with this if you do not have the correct equipment and skills.

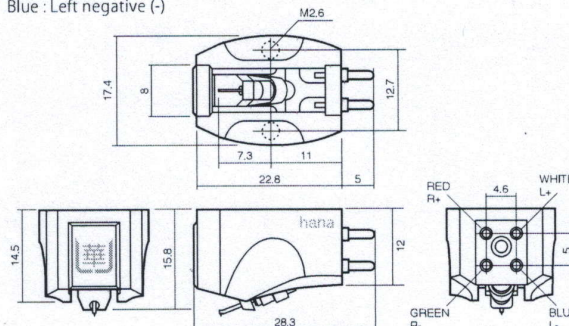
Umami Red Moving Coil Cartridges Specification

Body	Material	Duralumin (A7075)
	Finish	Gloss Urushi Lacquer / Red
Cantilever Assy	Cantilever	Boron
	Stylus	Microline Nude Diamond
Magnetic Circuit	Armature material	Permalloy
	Armature Shape	Square Plate
	Parts material	Pure Iron
	Magnet	Samarium Cobalt
Coil	Output Pins	24K Gold Plated
	Coil Impedance	6 Ω
	Output	0.4mV
	Coil Wire Material	High Purity Copper
Treatment	Load Impedance	> 60 Ω
	Cryogenic	Front Yoke, Rear Yoke, Pole Piece, Terminal Pins
Specification	Frequency Response	15-50,000Hz
	Output Balance	0.5dB/1KHz
	Channel Separation	30dB/1KHz
	Tracking Weight	2g
	Trackability	70 μm/2g
	Dynamic Compliance	10 x 10 ⁻⁶ cm/dyne (100Hz) Estimated at 17 x 10 ⁻⁶ cm/dyne at 10Hz
	Cartridge Weight	10.5g

●Connecting with signal lead out wires

Slide headshell lead wire clips over to each **Umami Red** terminal pins, reminding you to carefully expand clip if needed to best suit pin size.

Red : Right positive (+)
Green : Right negative (-)
White : Left positive (+)
Blue : Left negative (-)



●VTF (Vertical Tracking Force) setting:

Nominal VTF is 2.0g for **Umami Red**.

Note: Increase the VTF value slightly if the room temperature is below 20 degrees Centigrade (68 degrees Fahrenheit). However, The cartridge will warm up after playing music for a few minutes, increasing compliance slightly due to the kinetic energy of the disk.

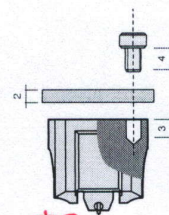
■Caution

- Be sure not to damage vulnerable cantilever or stylus when connecting to headshell. Keep the stylus protector fitted when attaching to headshell.
 - Never solder headshell lead wires directly to **Umami Red** terminal pins as this may damage inner cartridge moving coil wires.
 - Do not put any unnecessary pressure on cantilever/stylus with fingers, which is carefully tuned at the factory. Unusual pressure will cause moving coil cartridges to lose their factory set compliance.
- To clean the stylus, use the included small brush. Gently move the brush from back to front (moving from cantilever base to stylus tip) to remove dust or debris build up during playback.



Important cartridge fixing instructions:

As illustrated right: Select the correct length of 2.6M screw (4mm, 5mm, 6mm lengths provided) to suit your tonearm's headshell thickness. The depth of threaded holes in Umami body is only 3mm. Using too long of a screw could damage the cartridge when tightening.



■Warranty

The manufacturer's warranty will apply to normal usage and operation for 2 years after shipping date from the manufacturer. The warranty does not apply to any damage from abuse. This will be determined by manufacturer for warranty eligibility. The warranty covers defects in materials and craftsmanship, but not abuse or wear of stylus tip due to use. Please handle your **Umami Red** cartridge carefully. Do not use excess force when installing or cleaning your cartridge. If you are unsure, please ask your Dealer for assistance.

If you accidentally damage your cartridge, the manufacturer does offer a generous retip replacement plan. This also applies to cartridges that are out of the warranty period.

serial number: _____

Date of Purchase: _____

Printed in Japan