







PMC[®]

twenty5

User guide

- twenty5 
- twenty5 
- twenty5 
- twenty5 
- twenty5 
- twenty5 

No.

Hand built by

IMPORTANT

Warranty

Please take a few moments to complete the warranty card at the back of this booklet or register at www.pmc-speakers.com (click on 'register a product'). This records the purchase of your loudspeakers and provides you, the customer an opportunity to make suggestions and provide feedback directly to PMC. To gain your 20 warranty your product must be registered with us within 10 days of purchase.



Register now for your
UNRIVALLED
twenty year warranty

Product Support

For product support, accessories or servicing advice, please contact a PMC authorised retailer – See www.pmc-speakers.com.

THE PROFESSIONAL MONITOR COMPANY LIMITED

HOLME COURT, BIGGLESWADE, SG18 9ST, UK

T +44 (0) 1767 686300

sales@pmc-speakers.com

www.pmc-speakers.com

© 2020 PMC. All rights reserved.
Ref No: 1086
PMC Stock Code: 17092



twenty5.21i in Diamond black



WHAT DRIVES US

At PMC, we believe that music is what really matters; it's what moves us and gives us the passion for what we do.

It's relatively easy to create loudspeakers that colour or flatter music — but that has never been our way. The quest for sonic neutrality and transparency has always been PMC's obsession, using advanced engineering to reproduce music as vividly and faithfully as possible. Our designs are involved in every stage of music-making, from the recording studio to listening at home. From this experience, we know exactly how to present music as transparently as possible, just as the artist intended.

As we like to say, loudspeakers are where science meets art — we take care of the science so you can connect with the art.



Peter Thomas, Owner &
Oliver Thomas, Chief Technical Officer

CONGRATULATIONS – YOU HAVE JOINED THE ELITE

Stevie Wonder

You have joined the elite. You're a PMC user.

UNIVERSAL MUSIC GROUP

ESPN

Our loudspeakers can be found in all the world's best listening environments, from audiophile living rooms to internationally renowned recording, mastering, broadcast and post-production studios. Our Emmy-award-winning systems are used to create everything from smash Hollywood soundtracks to hit albums by artists including Coldplay, Kraftwerk, Elton John and Adele, as well as audiophile jazz and classical recordings on Deutsche Grammophon, Decca, Philips and Harmonia Mundi.

Thomas Newman

BBC

Tony Bennett

Apple

EMI

SONY

Coldplay

elbow

Our loudspeakers can be found in all the world's best listening environments, from audiophile living rooms to internationally renowned recording, mastering, broadcast and post-production studios. Our Emmy-award-winning systems are used to create everything from smash Hollywood soundtracks to hit albums by artists including Coldplay, Kraftwerk, Elton John and Adele, as well as audiophile jazz and classical recordings on Deutsche Grammophon, Decca, Philips and Harmonia Mundi.

Whether you listen to our speakers in world-class studios in LA, London, Berlin or Tokyo, or in your favourite listening room at home, you will hear the music exactly as the artist intended it.

Arcjacket

Kraftwerk

Royal College of Music

Warner Music

Pinewood Studios

Capitol Studios

JOHN NEWMAN

CONTENTS

- 9 General usage guidelines
- 10 PMC's **ATL™** (Advanced Transmission Line)
- 11 **Laminair™**
- 12 Our meticulous attention to detail
- 13 Unpacking
- 18 Installing the resonance-absorbing plinth bars
- 19 Dedicated **twenty5i** series stands
- 20 Connections - plugging them in
- 21 Running in or breaking in
- 22 Positioning
- 24 Fine tuning for perfect bass
- 25 Stereo set up
- 26 Surround sound specific set up
- 27 Ideal 5.1 surround sound set up
- 28 Ideal 7.1 surround sound set up
- 29 Service
- 30 Specifications
- 33 Warranty on-line
- 34 Warranty certificate – Part 1 – Your copy
- 35 Warranty certificate – Part 2 – Our copy
- 36 Help us improve – Your comments
- 37 Inspection certificate

GENERAL USAGE GUIDELINES

- 1 Read these instructions and keep them in a safe place for future reference.
- 2 Heed all electrical safety warnings, including any on the loudspeakers themselves.
- 3 Do not use the loudspeakers near water.
- 4 The cabinet should only be cleaned with a dry, lint-free, cloth. Do not use solvents, abrasives, waxes or liquids as they may be detrimental to the finish.
- 5 Four soft, self-adhesive feet are included with the **twenty5.Ci**. These can be attached to the base of the unit to provide vibration-free operation.
- 6 Floor spikes are sharp; treat with great care during installation and use.
- 7 Do not install near any heat sources such as radiators, ovens or other equipment that produce excessive heat.
- 8 Unplug this product from both source and power during electrical storms, or when unused for extended periods of time.
- 9 Packing material can pose danger to the young and vulnerable. Ensure these items are kept or disposed of safely.
- 10 High volume audio signals, however short their duration, have the potential to cause hearing damage. Use care when setting the system volume level to ensure playback sound pressure levels remain within safe comfortable limits.
- 11 Do not attempt to service the equipment. There are no user serviceable parts inside. Please refer all servicing to PMC authorised personnel.
- 12 Servicing is required when the apparatus is damaged, exposed to moisture, or exhibits a distinct or sudden change of operation or audio performance.
- 13 PMC has made efforts to provide accurate installation information and good quality fixings. PMC will not be held responsible or liable for injuries or property damage – direct, indirect or consequential – arising out of use or inability to use this product safely and properly.
- 14 **twenty5i** loudspeakers contain very powerful magnets and therefore may have a detrimental effect if left in close proximity to magnetically sensitive items.
- 15 Do not use the **Laminair** vent as a grip to lift the loudspeaker as this may result in damage.

ATL™

Advanced Transmission Line

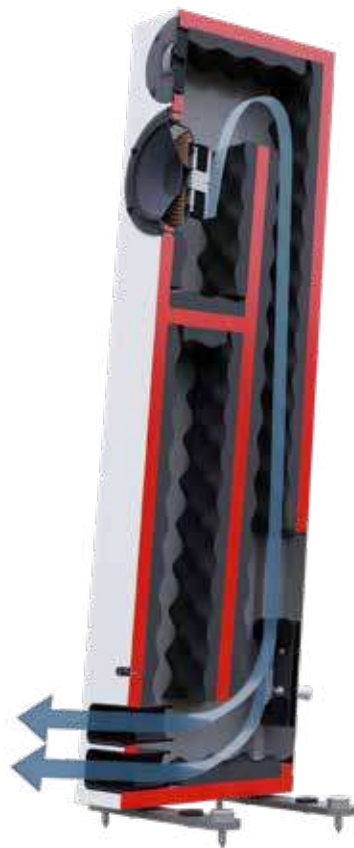
The source of PMC's legendary natural and wholly realistic sound is the Advanced Transmission Line (**ATL™**) bass-loading technology.

ATL™ is an ingenious design which uses energy generated by the bass unit in a much more intelligent and efficient way than speaker designs based on ported or sealed boxes.

In **ATL™** loudspeakers, the highly braced cabinet is lined with a multitude of custom-designed acoustic materials that absorb all but the very lowest frequencies. These are guided to exit from a vent on the front-panel, extending the low-frequency response and creating the impression of a far larger speaker with an extra, ultra-high quality bass unit.

ATL™ improves more than just the bass response: because the low end is clean and clear it doesn't mask the rest of the music. Vocals in particular, are beautifully projected and ultra-vivid.

ATL™ loudspeakers offer another benefit. The **ATL™** bass extension does not change with volume level – so even when listening quietly the bass sounds balanced and well defined.



This cross-sectional view of the **twenty5.24i** loudspeaker shows the **ATL™** cabinet arrangement and the unique **Laminair™** vents



Our loudspeaker performance has been taken to the next level with the addition of the **Laminair™** aerodynamic vent.

The **ATL™** design involves air moving under pressure at high speeds, and PMC's Head of Design, Oliver Thomas was able to apply aerodynamic principles transferred from his previous industry, Formula 1 to the **ATL™** concept.

The result is the unique **Laminair™** aerodynamic vent which creates an even smoother, laminar airflow at the exit from the transmission line.

This innovative solution reduces turbulence and drag at the **ATL™** vent, reducing resistance, increasing efficiency, eliminating air noise, and provides bass with supreme timing and the ultimate dynamic range.

'Nothing else comes close to the clarity, timing, and dynamics.'



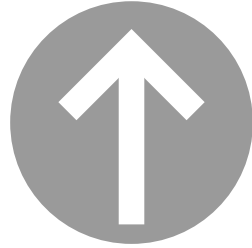
OUR METICULOUS ATTENTION TO DETAIL

All PMC loudspeakers are designed and hand-built in the U.K. using individual components that are matched to our reference model; this includes the structural integrity of every cabinet and the testing and recording of each component. This guarantees it will be within our strict tolerances and ensures your purchase sounds identical to the original design. Each completed loudspeaker then undergoes a set of objective and subjective measurements - frequency response sweeps ensure that the design meets our exacting performance criteria, and then listening tests are conducted against the reference model using a wide variety of material, from a benchmark BBC speech test to classical music, pop and rock.



“ Computers don't tell the full story. As well as a full frequency analysis, we listen to each speaker we make and run a benchmark BBC speech and music test on every single one. ”

UNPACKING

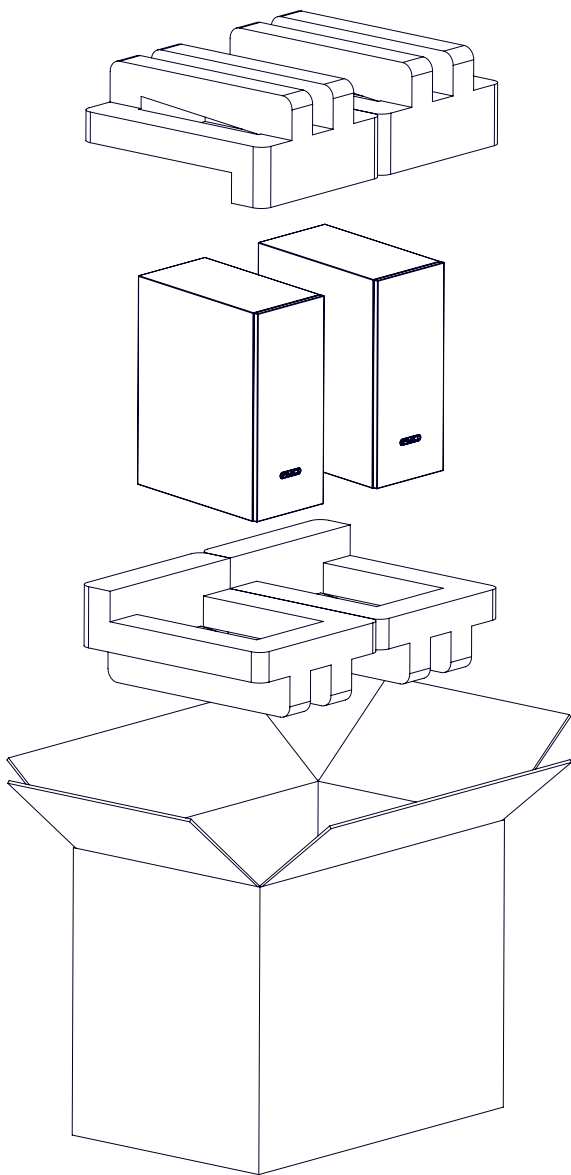


Please retain your packaging for future use as all PMC cartons are durable, reusable and can be employed to safely transport your loudspeakers should they be relocated or returned for servicing.

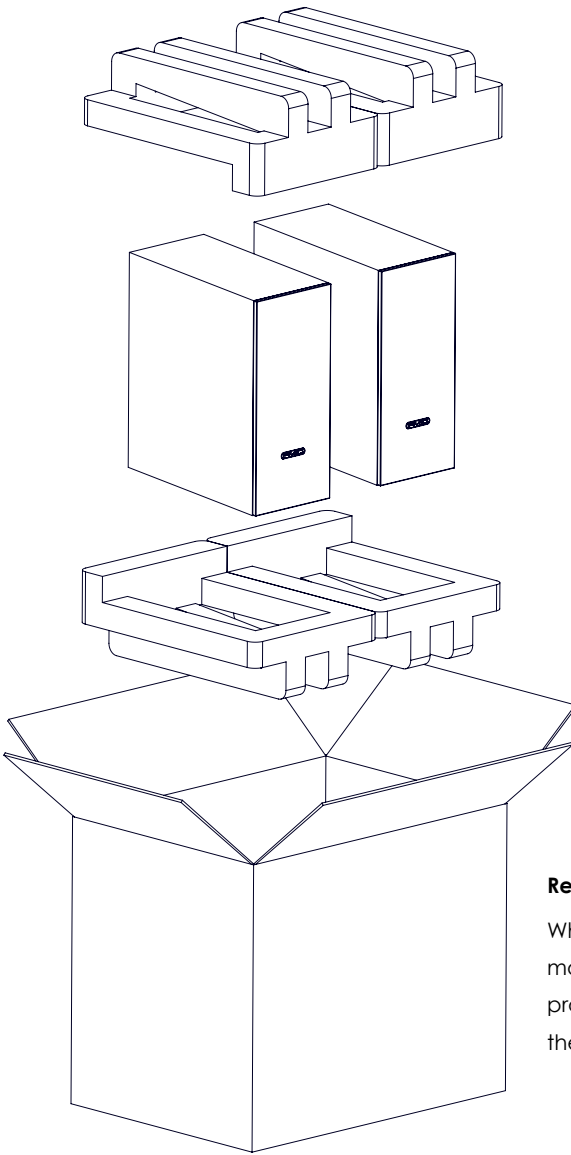
Much of the packing is constructed from recyclable materials, so if you are to dispose of it please do so in an environmentally friendly manner.



Packing materials can pose danger to animals, the young and vulnerable. Ensure these items are kept or disposed of safely.



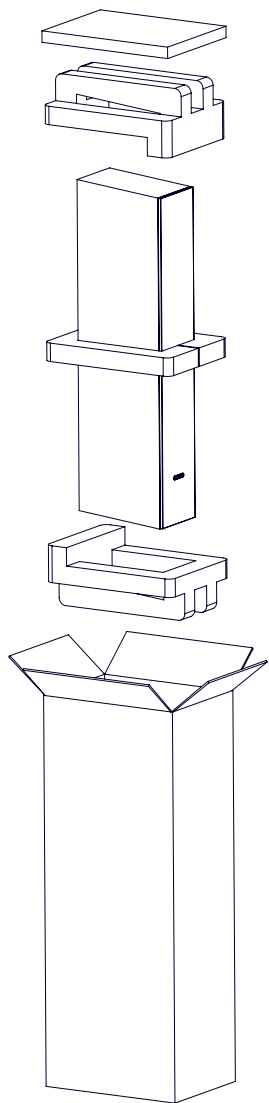
**TAKE CARE WHEN UNPACKING – THERE ARE DELICATE
TERMINALS ON THE REAR OF THE CABINET**



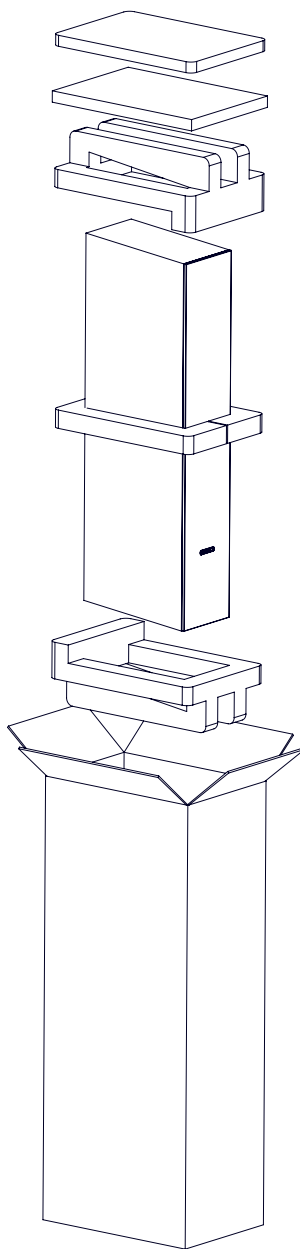
Re-packing

When re-packing all **twenty5i** series models ensure the grilles are in their protective bags and attached to the cabinet.

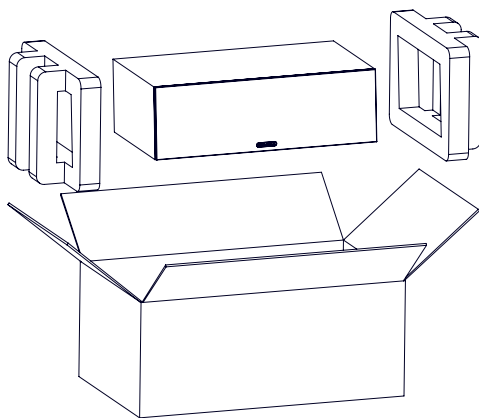
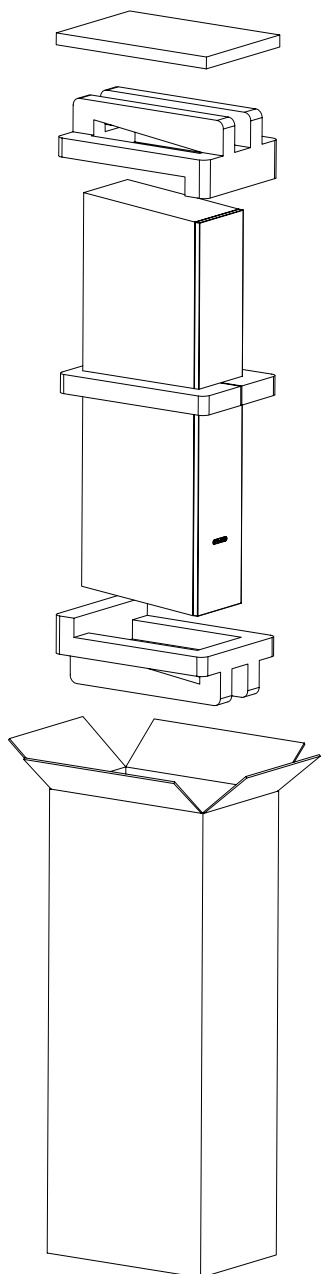
twenty5 **237**



twenty5 **247**



STEADY THE LOUDSPEAKER CABINET WHILE REMOVING THE CARTON



Re-packing

When re-packing all **twenty5i** series models ensure the grilles are in their protective bags and attached to the cabinet.

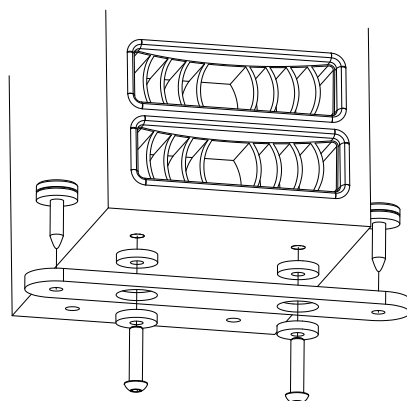
INSTALLING THE RESONANCE-ABSORBING PLINTH BARS

Plinth bars and spikes are provided to enhance performance and stability. They attach to the base of each speaker using M8 bolts and are isolated from both the cabinet and floor by isolator rings of a very specific compliance.

- 1 Ensure isolator rings are placed in the rebates in the plinth bars.
- 2 Place an isolator ring over each mounting hole on the base of the cabinet.
- 3 Place the plinth bars on the speaker ensuring all the holes are aligned and ready to take the M8 bolts.
- 4 Locate the M8 bolts and tighten them **gently** using the Allen/hex key provided until they are seated but not tightened.
- 5 Once the bolts are all seated, tighten each bolt **carefully** by **half a turn**. **Do not over-tighten the bolts**. Over-tightening will reduce the effect of the resonance-absorbing material and the performance of the speaker.
- 6 Fully thread each spike through the plinth bar. The spikes can then be attached to the plinth; they should point upwards whilst the cabinet is inverted.
- 7 Re-invert the loudspeaker so that the spikes and plinth bars are at the bottom.
- 8 Once in position, level the loudspeaker by adjusting each spike in turn.



Caution: The spikes are sharp, treat them with care; they may damage hard flooring if in direct contact. We have included pucks to protect sensitive or hard flooring.



DEDICATED STANDS

The **twenty5i** series compact models are designed to offer exceptional clarity while taking up minimal space, and can be used either on stands or within audio/video furniture.

However, they will realise their optimum performance when used in conjunction with PMC's dedicated high-mass stand that positions them at the ideal height and with complete stability.

Stand Features

- Unique, damped, 3-layer sandwich construction.
- Mass fill-able – sand or shot.
- Built-in cable management.
- Essential to complete the dynamic **twenty5i** series look.



Stand Dimensions

H 599mm +25mm spikes

W 229mm

D 364mm



CONNECTIONS

Plugging them in

Caution



To avoid potential damage, please ensure that your power amplifier(s) or receiver is turned off before connecting or disconnecting your loudspeakers.

Cable & connectors

When selecting cables for use with your **twenty5i** series loudspeakers, ensure that their construction is of a high enough standard to withstand the rigors of everyday use and that they are suitably terminated. While bare wire can be accommodated by the **twenty5i** series binding posts, we recommend the use of either spade lugs or 4mm 'banana' plugs in order to maintain an electrical connection of the highest integrity and avoid the possibility of short circuits. Please consult your dealer for more information regarding cable lengths and termination options.



Do not use tools to tighten the binding posts

Polarity + & -

It is of vital importance to observe the polarity markings and maintain positive-to-positive and negative-to-negative connections from amplifier or receiver to the loudspeaker. The **twenty5i** series terminals are colour-coded to aid in their identification: positive terminals are red, negative terminals are black.

RUNNING IN OR BREAKING IN



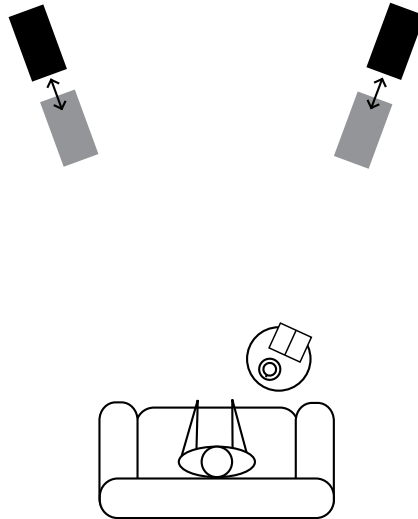
50
HOURS

When loudspeakers are new they will take time to reach their full potential. It is often debated whether any solid-state equipment, such as CD players or transistor-based power amplifiers change with use, but the characteristics of mechanical devices such as loudspeakers do alter and improve their performance significantly after a short 'running in' period.

The science is simple; as the soft material surrounding the dome or woofer cone is flexed it will eventually reach a point where it has optimum compliancy allowing the drive unit to move more freely. This translates to greater accuracy and speed of attack in the bass region and the mid and high frequency produces a far more vivid audio picture. This short 'running in' period takes approximately 50 hours of normal use.

50+ hours to run-in

POSITIONING



With their unique **ATL™** Advanced Transmission Line design, wide dispersion, ultra low distortion and smooth bass roll-off, PMC loudspeakers are more forgiving of difficult room conditions and placement constraints than conventional designs so you will be able to achieve a superb sound throughout the room with little effort. We do encourage you to spend some time experimenting in your own room in order to achieve the very best results. Remembering that small changes in location can often influence system performance.

Room shape, size, construction and interior decoration vary immensely and therefore influence sound in different ways. The following guidelines are suggestions for the starting point to locate your new speakers. Fine-tuning of their positioning can start from here.

POSITIONING

- Place the speaker so the front face is slightly forward of any large object that protrudes into the room – eg. a fireplace, bookcase or television.

TIP – See stereo set up diagram

- Ensure that stereo pairs of loudspeakers are equidistant from the listening position.
- It is best to position the front left/right pair (and centre channel loudspeaker if you have a surround system) at the same height, usually at ear-level when seated at the listening position.

TIP – If any of the speakers are mounted above or below ear level, then angle the speaker towards the listening position.

- The distance between your left/right speakers and the listening position should ideally be equal. As a general rule, the width of the audio picture will be narrow if the speakers are too close together. If they are too far apart the picture will be wide but there will be less central definition.

TIP – Use a well recorded vocal track to judge the ideal spot.

- To enhance the audio picture/soundstage and sound balance, the speakers can be angled/toed-in. With the speakers facing straight ahead play a well recorded vocal track. Gradually toe-in both speakers by small increments (max 5° at a time) (see stereo set-up diagram) until the voice is vivid and centrally placed. You can ensure this is best position by going 'one step too far' then returning. Then, use a track with extended high frequencies such as cymbals, check that they sound clear but not overpowering. If they sound too loud or harsh subtly toe the speakers out by very small increments until you achieve the ideal balance; then repeat both listening tests to confirm.

TIP – A simple, well-recorded band with vivid vocals will help to find the best position.

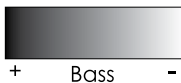
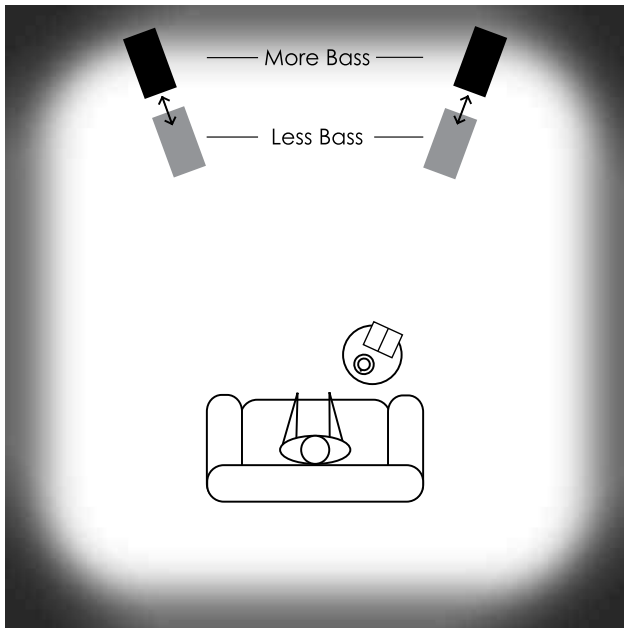
FINE TUNING FOR PERFECT BASS

Bass / LF (Low Frequency adjustment)

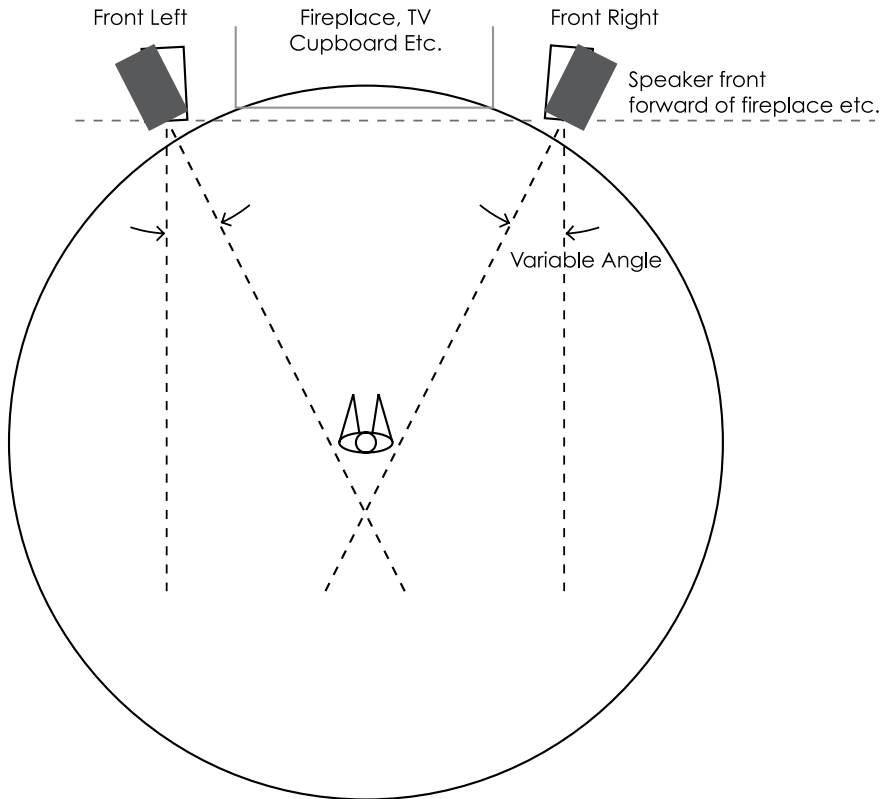
Solid boundaries (i.e. walls, ceilings and floors) reflect sound and help to contain it within a room. They make a speaker sound louder the closer they are to them, especially in the low frequency (bass) region.

This diagram shows the areas, that if a speaker is positioned, will either increase or decrease bass – The darker the shading the more bass will be heard. Placing the speakers in the corners will generate the most bass, and in the centre of the room, the least bass.

Fine tuning for perfect bass



STEREO SET UP



SURROUND SOUND SPECIFIC SET UP

5.1 Systems

The **twenty5i** series has been designed for perfect multi channel music or movie playback and the following diagrams display the ideal layout for the speakers.

TIP – No doubt the constraints of room size and shape will vary the distances from the listener to the speakers. Therefore use of the time alignment function of your surround processor will be important.

TIP – The guidance given in the 'Stereo set up' and 'Fine tuning for perfect bass' also apply to the set up of a surround system.

7.1 Systems

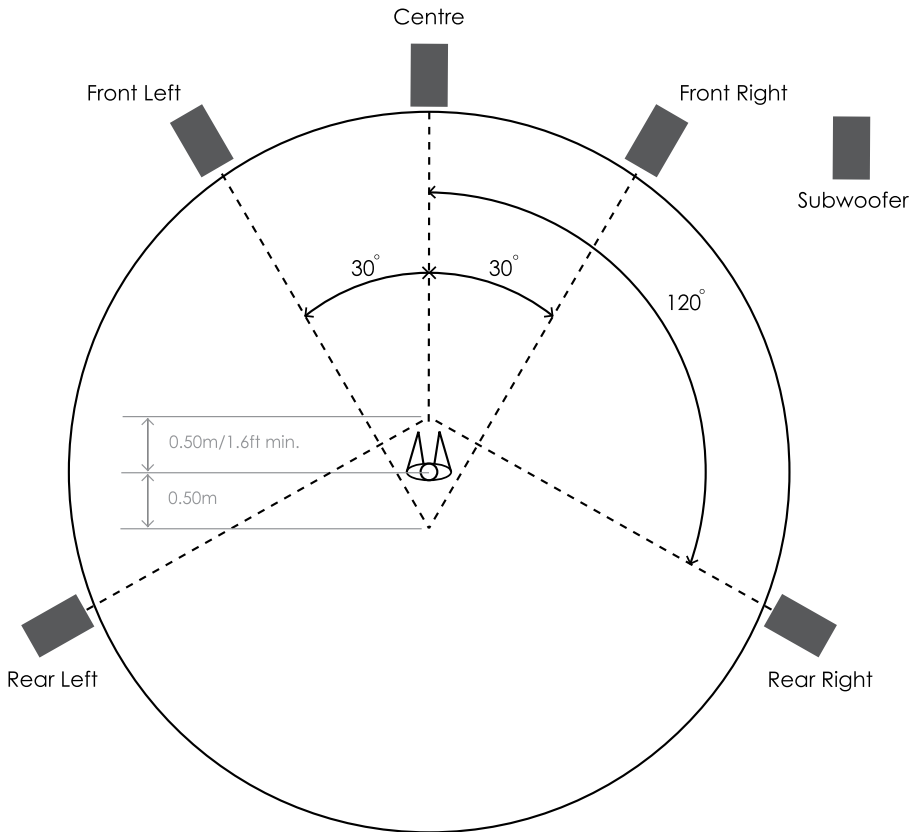
In a system capable of full 7.1 Dolby® Digital Surround EX™, DTS® ES™, Blu-ray™ or HD DVD™ playback there will be two sets of surround speakers. The first pair should be positioned at 100° and the second set at 150°. (The centre is considered 0° while directly to the rear of the room is 180°). See Ideal 7.1 surround set up diagram.

Other Immersive Surround Formats

DTS:X™, Dolby Atmos™, Auro 3D® – we have models to suit every format. With our vast array of product options it is easy to create a bespoke state-of-the-art home cinema to take full advantage of the latest surround sound formats, regardless of the number of channels or placement of the speakers. In addition to the choices from the **twenty5i** series we produce in-wall and on-wall **ci** series models and both active and passive subwoofers. See www.pmc-speakers.com for more information.

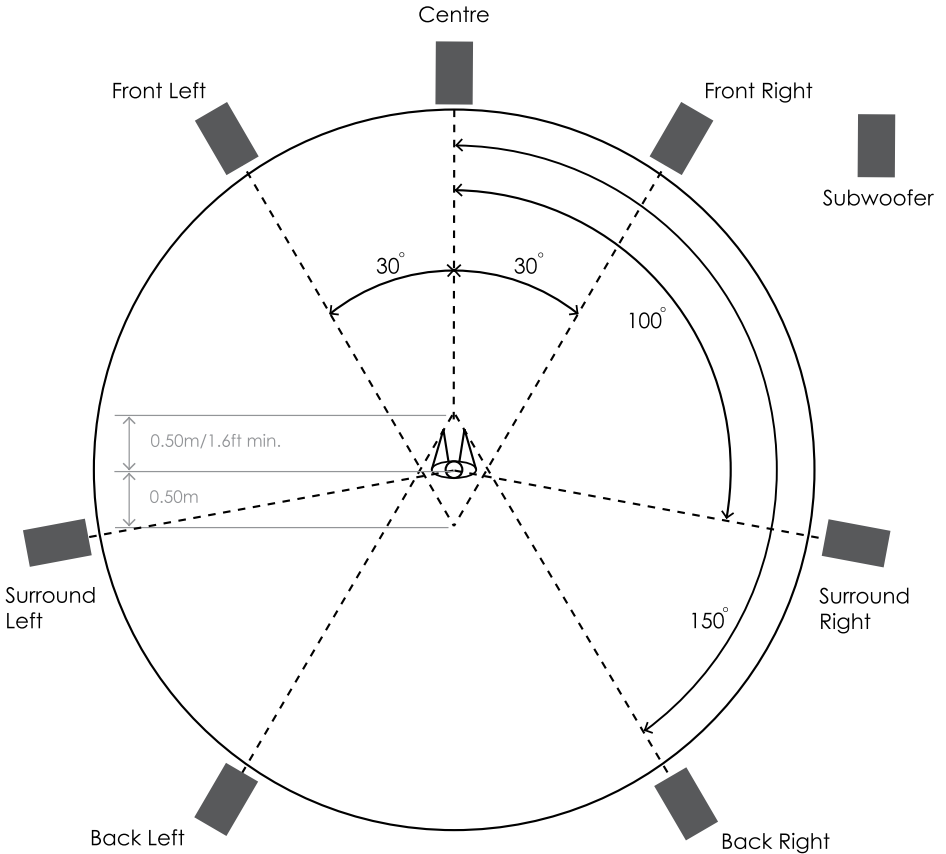
Dolby® Digital Surround EX™ and Dolby Atmos are registered trademarks of Dolby® Laboratories
DTS® ES™ and DTS:X™ are registered trademarks of DTS®, Inc
Auro 3D® is a registered trademark of Aurio Technologies
Blu-ray™ is a trademark of the Blu-ray™ Disc Association
HD DVD™ is a trademark of the DVD Format/Logo Licensing Corporation (DVD FLLC)

IDEAL 5.1 SURROUND SET UP



TIP – Four soft, self-adhesive feet are included with the **twenty5.Ci**. These can be attached to the base of the unit to provide vibration-free operation.

IDEAL 7.1 SURROUND SOUND SET UP



For the Dolby Atmos™ system height channels are required. We produce a range of products to accommodate this. See www.pmc-speakers.com

SERVICE

We are confident your **twenty5i** loudspeakers will afford many years of trouble-free listening of the highest order. But in the unlikely event that one or more requires repair, our unique manufacturing procedure, wherein the precise value of each component together with the response of the system as a whole is recorded, will ensure that any replaced parts will exactly match the performance of those originally included within each individual loudspeaker.

For any issues that might arise, or for advice and service requirements, the primary point of contact should be your knowledgeable and authorised PMC dealer/distributor.

If you do not have a local representative please see www.pmc-speakers.com and click on 'where to buy'.

Alternatively you can view our FAQ's (Frequently Asked Questions) and servicing section on our website. (Click on the contacts section and select FAQ).



Important Note: Please do not return any products to PMC directly without first contacting our service department.

SPECIFICATIONS

twenty5

| | |
|------------------------------|--|
| Freq response | 46Hz – 25kHz |
| Sensitivity | 86.5dB 1W 1m |
| Recommended amp power | 30 - 150W |
| Effective ATL™ | 1.72m (5.6ft) |
| Impedance | 8 Ohm |
| Drive units | LF PMC 5.5" / 140mm long-throw g-weave™ cone with cast alloy chassis HF PMC/SEAS®, 19mm twenty5i series, SONOMEX™ fabric soft dome, Ferrofluid cooled, with 34mm surround and dispersion grille |
| Crossover freq | 1.7kHz |
| Input connectors | 1 pair custom, PMC, Rhodium plated 4mm binding posts |
| Dimensions | H 340mm (13.4") W 162mm (6.4") D 284mm (11.2") including binding posts (+ 9mm grille) |
| Weight | 6kg (13.2lbs) |

twenty5

| | |
|------------------------------|--|
| Freq response | 39Hz – 25kHz |
| Sensitivity | 89dB 1W 1m |
| Recommended amp power | 30 - 200W |
| Effective ATL™ | 2m (6.5ft) |
| Impedance | 8 Ohm |
| Drive units | LF PMC 6.5" / 170mm long-throw g-weave™ cone with cast alloy chassis HF PMC/SEAS®, 19mm twenty5i series, SONOMEX™ fabric soft dome, Ferrofluid cooled, with 34mm surround and dispersion grille |
| Crossover freq | 1.7kHz |
| Input connectors | 1 pair custom, PMC, Rhodium plated 4mm binding posts |
| Dimensions | H 410mm (16.1") W 192mm (7.6") D 373mm (14.7") including binding posts (+ 9mm grille) |
| Weight | 10kg (22 lbs) |

SPECIFICATIONS


twenty5


| | |
|------------------------------|---|
| Freq response | 28Hz – 25kHz |
| Sensitivity | 86.5dB 1W 1m |
| Recommended amp power | 30 - 150W |
| Effective ATL™ | 2.4m (7.8ft) |
| Impedance | 8 Ohm |
| Drive units | LF PMC twenty5i series 5.5" / 140mm long-throw g-weave™ cone with cast alloy chassis HF PMC/SEAS®, 19mm twenty5i series, SONOMEX™ fabric soft dome, Ferrofluid cooled, with 34mm surround and dispersion grille |
| Crossover freq | 1.7kHz |
| Input connectors | 1 pair custom, PMC, Rhodium plated 4mm binding posts |
| Dimensions | H 907mm (35.7") +20mm spikes W 162mm (6.4") 238mm including plinth bars D 330mm (13.0") + 9mm grille |
| Weight | 15kg (33 lbs) |

twenty5

| | |
|------------------------------|--|
| Freq response | 27Hz – 25kHz |
| Sensitivity | 89dB 1W 1m |
| Recommended amp power | 30 - 200W |
| Effective ATL™ | 3m (9.8ft) |
| Impedance | 8 Ohm |
| Drive units | LF PMC 6.5" / 170mm long-throw g-weave™ cone with cast alloy chassis HF PMC/SEAS®, 19mm twenty5i series, SONOMEX™ fabric soft dome, Ferrofluid cooled, with 34mm surround and dispersion grille |
| Crossover freq | 1.7kHz |
| Input connectors | 1 pair custom, PMC, Rhodium plated 4mm binding posts |
| Dimensions | H 1015mm (40.0") +20mm spikes W 192mm (7.6") 275mm including plinth bars D 419mm (16.5") + 9mm grille |
| Weight | 23kg (50.6lbs) |

SPECIFICATIONS

| | | |
|--|------------------------------|--|
| twenty5  | Freq response | 27Hz – 25kHz |
| | Sensitivity | 86dB 1W 1m |
| | Recommended amp power | 50 - 300W |
| | Effective ATL™ | 3.3m (11ft) |
| | Impedance | 8 Ohm |
| | Drive units | LF PMC 6.5" / 170mm long-throw g-weave™ cone with cast alloy chassis MF PMC 50mm twenty5i series dome mid-range HF PMC/SEAS®, 19mm twenty5i series, SONOMEX™ fabric soft dome, Ferrofluid cooled, with 34mm surround and dispersion grille |
| | Crossover freq | 400Hz, 4kHz |
| | Input connectors | 1 pair custom, PMC, Rhodium plated 4mm binding posts |
| | Dimensions | H 1040mm (40.9") — +20mm spikes W 192mm (7.6") — 275mm including plinth bars D 439mm (17.3") — +15mm grille |
| | Weight | 25kg (55.1 lbs) |

| | | |
|---|------------------------------|---|
| twenty5  | Freq response | 45Hz - 25kHz |
| | Sensitivity | 90dB 1W 1m |
| | Recommended amp power | 30 - 200W |
| | Effective ATL™ | 1.8m (5.9ft) |
| | Impedance | 6 Ohm |
| | Drive units | LF 2 x PMC twenty5i series 5.5" / 140mm long-throw g-weave™ cone with cast alloy chassis HF PMC/SEAS®, 19mm twenty5i series, SONOMEX™ fabric soft dome, Ferrofluid cooled, with 34mm surround and dispersion grille |
| | Crossover freq | 1.7kHz |
| | Input connectors | 1 pair custom, PMC, Rhodium plated 4mm binding posts |
| | Dimensions | H 174mm (6.9") W 554mm (21.8") D 314mm (12.4") incl. binding posts — + 9mm grille |
| | Weight | 11kg (24.3lbs) |

WARRANTY ONLINE

Register within 10 days to unlock
your **20 year warranty**



Visit pmc-speakers.com and click on

register a product

If you do not have access to the internet fill in the warranty
form found on pages 35 & 36 and post it to us.

WARRANTY CERTIFICATE - PART 1

Your Copy
to KEEP

Please complete and retain this page for your own records

Product

Serial nos

Date of purchase

Dealers name

Dealers address

Town

County

Postcode

Dealers telephone no

Servicing and warranty issues – Please read the following carefully.

Non UK clients: Contact your local dealer/distributor for the details of warranty repairs - see www.pmc-speakers.com and click on 'where to buy' for their details.

UK clients: In the unlikely event of a fault occurring with your The Professional Monitor Company Limited (PMC) product firstly contact your dealer where the product was purchased.

Do not return a product to PMC without firstly contacting our technical dept. If the product must be returned for service you will be issued with a 'Returns Authorisation Number'.

If a product is returned to PMC and subsequently is found to have no fault or a non-warranty fault it will be subject to a minimum of £50.00 plus the carriage for its return.

Proof of purchase is required for any claim covered by this warranty.

This product is warranted for a period of 20 years from the date of purchase or upon receipt of 'our copy' overleaf or on-line registration within ten days of purchase or receipt.

The warranty covers defects due to faulty materials or workmanship but does not cover defects arising from accidental damage, misuse or wear and tear. The warranty is void if any attempt has been made by persons not authorised by PMC to dismantle, repair or modify any part of the product.

Products must be returned using original packing material. This warranty does not cover damage in transit.

Note that the cost of the carriage to PMC is not covered by the warranty.

Returned products that are defective that are covered by warranty will be repaired or replaced at the discretion of PMC.

Allow minimum of 14 working days for return of warranty repairs.

This warranty does not effect your consumer rights under statutory law. This warranty is only valid in the United Kingdom.

WARRANTY CERTIFICATE - PART 2

Our Copy

Please complete and return this section to us – or simply complete the online registration at www.pmc-speakers.com and click on register product.

| |
|--------------------|
| Product |
| Serial nos |
| Date of purchase |
| Purchased from |
| Your name |
| Your email address |
| Your address |
| Town |
| County |
| Postcode/Zip code |

Help us improve
our products
see over



YOUR COMMENTS – HELP US IMPROVE

If there is one thing we should change, what would it be?

We value all our client's comments. Please take a moment to help us improve:

Please tell us how your new PMC's perform. Your comments may appear on the customer quotes section for this product on our site. N.B. Don't worry the comments will be anonymous; your personal details will not appear.

What magazines do you read?

| HiFi | Pro | Lifes style | Online |
|--------------------------------------|---|------------------------------------|--|
| <input type="checkbox"/> HiFi Choice | <input type="checkbox"/> Future Music | <input type="checkbox"/> T3 | <input type="checkbox"/> mixonline.com |
| <input type="checkbox"/> What HiFi | <input type="checkbox"/> Sound on Sound | <input type="checkbox"/> Stuff | <input type="checkbox"/> gearslutz.com |
| <input type="checkbox"/> Stereophile | <input type="checkbox"/> Audio Media | <input type="checkbox"/> GQ | <input type="checkbox"/> avreview.co.uk |
| <input type="checkbox"/> HiFi World | <input type="checkbox"/> Pro Sound News | <input type="checkbox"/> EVO | <input type="checkbox"/> techradar.com |
| <input type="checkbox"/> HiFi Critic | <input type="checkbox"/> Resolution | <input type="checkbox"/> FHM | <input type="checkbox"/> HiFi WigWam.com |
| <input type="checkbox"/> HiFi News | <input type="checkbox"/> Audiofanzine | <input type="checkbox"/> Shortlist | <input type="checkbox"/> What HiFi.com |
| <input type="checkbox"/> HiFi+ | <input type="checkbox"/> IBE | <input type="checkbox"/> Maxim | <input type="checkbox"/> the-ear.net |
| <input type="checkbox"/> Gramophone | <input type="checkbox"/> Tape Op | <input type="checkbox"/> Esquire | <input type="text" value="Other"/> |
| <input type="text" value="Other"/> | <input type="text" value="Other"/> | <input type="text" value="Other"/> | |

We hope you enjoy your latest purchase as much as we enjoyed designing and building them - Thank you.

INSPECTION CERTIFICATE

Every component that appears in a PMC product is measured, tested, matched and recorded by hand. This analysis also applies to the final product we build to ensure you receive an identical replica of the reference model.

- Crossover matching
- Enclosure finish
- Assembly & Wiring
- Driver installation
- Enclosure seal
- Level - frequency
- Impedance - frequency
- Pair matching
- Listening test 1
- Listening test 2
- Final inspection
- Accessory pack
- User Guide

All the above has been carefully checked by the builder of your **twenty5i** series loudspeakers detailed on the front of this user guide.

© 2020 PMC. All rights reserved.

This document should not be construed as a commitment on the part of The Professional Monitor Company Limited (PMC). The information it contains is subject to change without notice. PMC assumes no responsibility for errors that may appear within this document. Information subject to change.

ATL, **twenty5i**, **g-weave**, and **Laminair** are trade marks of The Professional Monitor Company Limited.

CE Conformity PMC passive loudspeakers conform to CE Directive LVD 73/23/EEC and EMC 89/336/EEC.

WEEE European directive - PMC is a member of a National Compliance scheme and have gained the associated certification of compliance and the following registration number from the Environment Agency WEEE/GJ0101WU

WEEE EU Directive

This symbol on the product or in/on its packaging indicates that this product must not be disposed of with other household waste. It is the responsibility of the owner to dispose of waste equipment via a designated collection point for the recycling of waste electrical and electronic equipment. The recycling of your waste equipment is an attempt to conserve natural resources and ensures that it is recycled in a manner that protects human health and the environment. For more information about where you dispose of your waste equipment for recycling, please contact your local waste/recycling authority or the dealer from whom you purchased the product.





PMC Stock Code: 17092
Ref No. 1086 - Feb20

PMC[®]

T + 44 (0) 1767 686300
sales@pmc-speakers.com
www.pmc-speakers.com