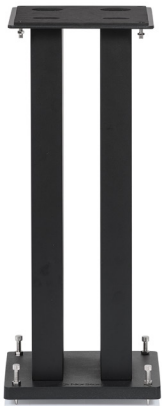
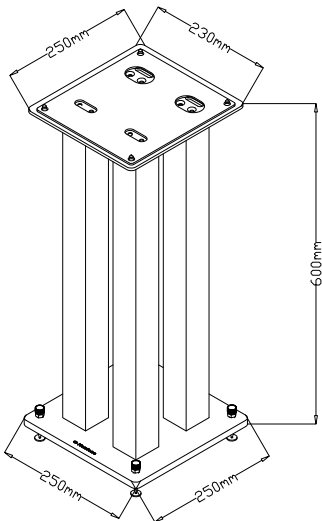


STYLUM SQUARE



DIMENSIONS



DESIGN

Finish: *Black / Black*

Structure: *Cast iron base with metal tube (black/white/silver, 3 colors available)*

MAXIMUM LOAD

Stand: *30 kg*

USABLE DIMENSIONS

W x H x D: *250 x 600 x 250mm*

Weight: *13,7 kg*

PACKAGING

Quantity/box: *2 units (a pair by carton)*

Type: *Brown cardboard*

Dimensions (W x H x D): *635 x 150 x 320 mm*

Gross weight: *29,3 kg*

MAXIMUM SIZE / WEIGHT



COLOR(S)



Black satin



White satin



Silver satin

SKU: *NORSTYSQBKS*
EAN: *3700795180495*

SKU: *NORSTYSQWTS*
EAN: *3700795180525*

SKU: *NORSTYSQRS*
EAN: *3700795180518*

ALSO AVAILABLE



Stylum I



Stylum II



Stylum III



Stylum Max



Stylum S



WWW.NORSTONE-DESIGN.COM